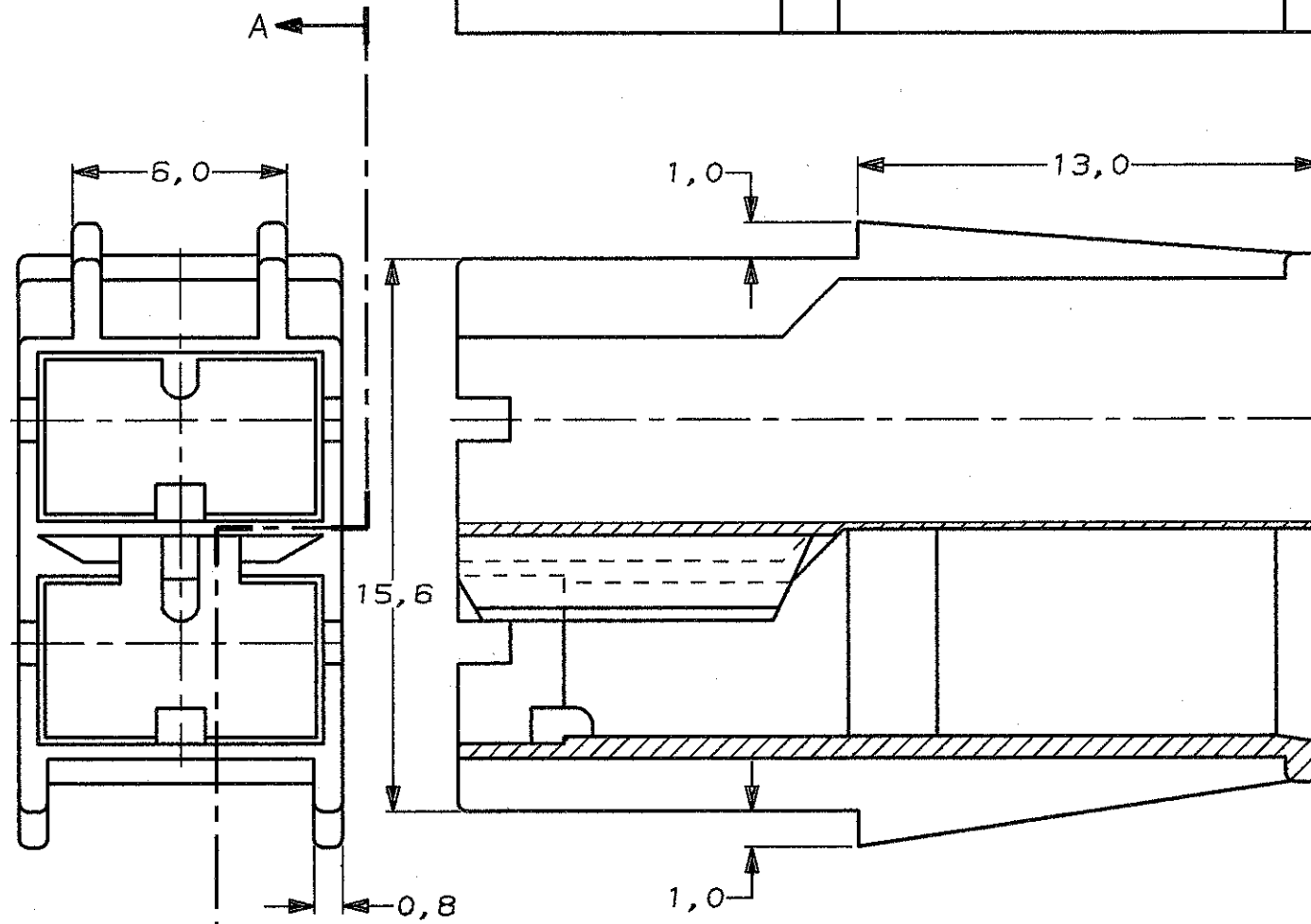
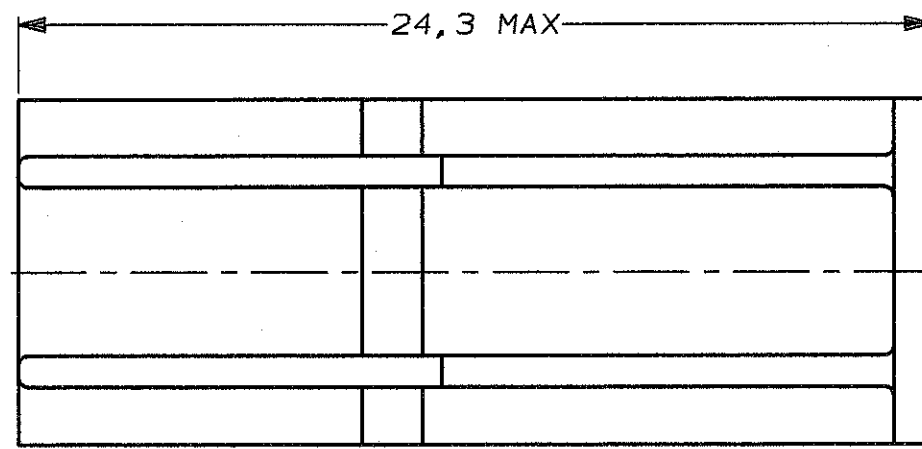


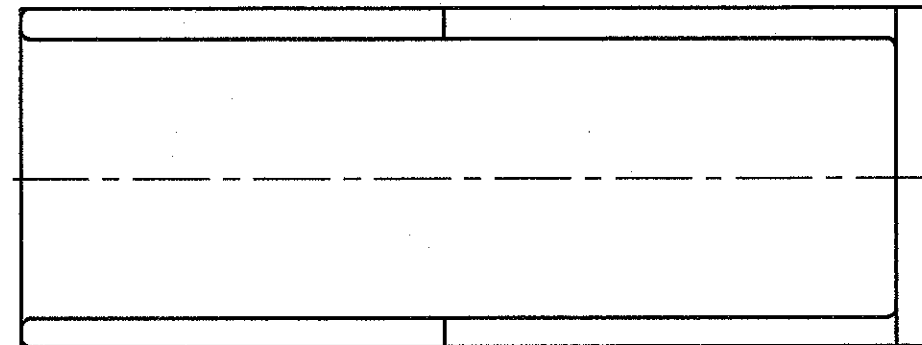
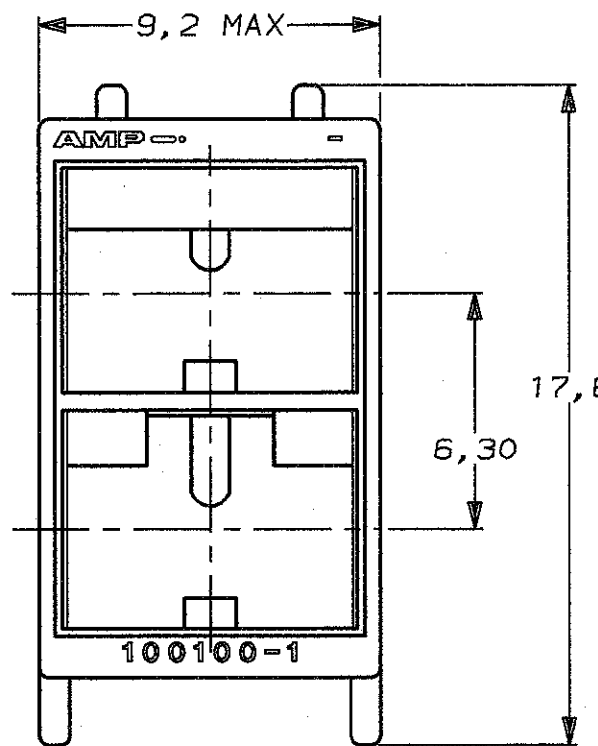
DO NOT SCALE  
DIMENSIONS IN mm

METRIC

THIRD ANGLE  
PROJECTION



SECTION A-A



<p><b>CUSTOMER DRAWING</b></p> <p>FOR REFERENCE ONLY WILL NOT BE UPDATED</p>	BLACK	PA 6.6 94V0	100100-1
	COLOUR	MATERIAL	PARTNUMBER
	AMP-HOLLAND B.V. 's-Hertogenbosch, The Netherlands.		
THIS DRAWING IS UNPUBLISHED <del>RELEASED FOR PUBLICATION</del> , 19			
© COPYRIGHT 19- BY AMP-HOLLAND B.V. ALL INTERNATIONAL RIGHTS RESERVED. AMP PRODUCTS MAY BE COVERED BY U.S. AND FOREIGN PATENTS AND/OR PATENTS PENDING.			
DR. R.Daamen	DATE 14.06.90	WIRE RANGE -	NAME 2 POSITION POSITIVE-LOCK HOUSING
CHK. A.Bijnen	DATE -	INSUL. RANGE -	REV. DATE D M Y 31 07 90
APP. L.v. Soest	DATE 22-8-90	SIZE A3	SHEET 1 OF 1
		DWG. No. C-100100	REV. LTR. 0

8 7 6 5 4 3 2 1